

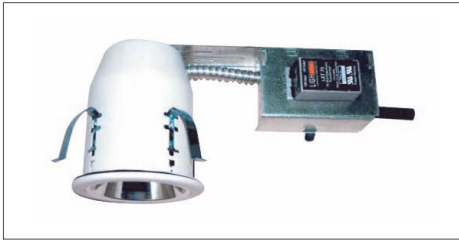
DLH-103R-E (Electronic)

12V Low Voltage, Max. 50W MR-16

3.5" NON-IC Type Housing For Remodeling

Catalog #		Type
Project		Date
Prepared by		

HALOGEN

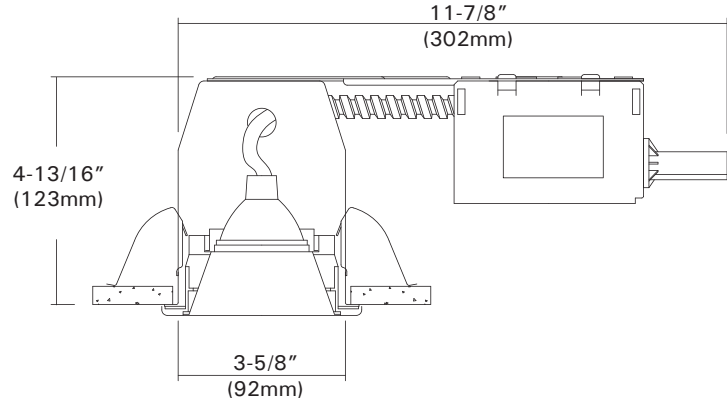


DESCRIPTION

The DLH-103R-E is a 3.5" aperture remodel housing for accent and task lighting.

APPLICATION

The DLH-103R-E is designed for use in both non-insulated and insulated existing ceilings. Insulation material must be kept a minimum of 3" from all sides of the housing and it can be installed from below.



DESIGN FEATURES

Ceiling Cut-out : 3-7/8"
Lamp, Max, Watt. : 50W

◦ Housing

- Galvanized steel housing painted white.
- 4-13-16" height allows use in 2"X6" joist construction.
- Housing adjusts for ceilings up to 1/2" thick.

◦ Junction Box

- Listed for through branch circuit wiring. (Max. 8 No 12 AWG 90°C branch circuit conductors. (4 in, 4 out)
- (5) 1/2" knockouts with true pry-out slots and (4) knockouts with Romex cable clamp.
- Ground wire provided on J-box.

◦ Socket

- Ceramic socket with aluminum heat shield for Bi Pin MR16 lamps.

◦ Remodel Clips

- 3 remodel clips secure housing and accommodates 1/2" and 5/8" ceiling materials.

◦ Lamp

- One 12V, 50W MR16 lamp. - See trim page for more details.

◦ Transformer

- 120V electronic transformer steps line voltage down to lamp operating voltage for lamps up to 75W.
- Available 277V-12V transformer.

◦ Thermal Protector

- Self-resetting thermal detector on J-Box deactivates fixture if overheating occurs due to improper lamping or insulation.

* Listing

- UL, c-UL listed for damp location.
- UL, c-UL listed for feed through.

• Optional "Quick Connect" Push-in wire connectors.

- Three "Quick Connectors"
- Pre-installed push-in wire connectors for fast and easy wiring.

Trims

3.5" Halogen Trims For

DLH-103(R), ICH-103AT, DLH-1033(R), DLH-303(R), ICH-303AT

Catalog #		Type
Project		Date
Prepared by		

HALOGEN

TMH-316 Shower Frosted Flat Lens
TMH-317 50W 12V MR16
 Die-Cast Construction
 O.D : 4-5/16"
 TMH-316 is for GY6.35 Base (Bi-Pin)



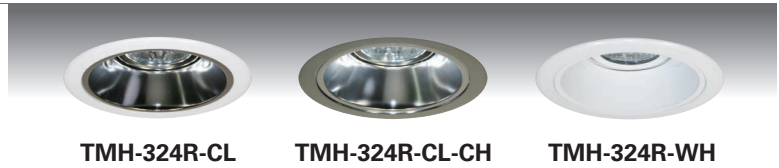
TMH-318 Shower Convex Shape Lens
 50W 12V MR16
 Die-Cast Construction
 O.D : 4-5/16"



TMH-319 Tapered Glass Diffuser
 50W 12V MR16
 Die-Cast Construction
 O.D : 4-5/16"



TMH-324R Adjustable Reflector
 50W 12V MR16
 Die-Cast Construction
 O.D : 4-5/16"



TMH-324B Adjustable Baffle
 50W 12V MR16
 Die-Cast Construction
 O.D : 4-5/16"



TMH-335B Pin Spot w/ Baffle
 50W 12V MR16
 Die-Cast Construction
 O.D : 4-5/16"



TMH-335R Pin Spot w/ Reflector
 50W 12V MR16
 Die-Cast Construction
 O.D : 4-5/16"



TMH-329 Slotted Wall Wash
 50W 12V MR16
 Die-Cast Construction
 O.D : 4-5/16"



Trims

3.5" Halogen Trims For

DLH-103(R), ICH-103AT, DLH-1033(R), DLH-303(R), ICH-303AT

Catalog #		Type
Project		Date
Prepared by		

HALOGEN

TMH-347B Adjustable Wall Wash w/ Baffle
50W 12V MR16
 Die-Cast Construction
 O.D : 4-5/16"



TMH-347B-WH

TMH-347B-PB

TMH-347B-MO

TMH-315 Dropped Clear Etched Lens
50W 12V MR16
 Die-Cast Construction
 O.D : 4-5/16"



TMH-315-WH

TMH-315-BK

TMH-315-SN

TMH-328 Gimbal w/ Baffle
50W 12V MR16
 Die-Cast Construction
 O.D : 4-5/16"



TMH-328-WH

TMH-328-BK-SN

TMH-328-BK-MO

ORDERING INFORMATION

Choose the catalog / finish codes that best suit your needs and enter it on the appropriate line.

TRIM MODEL	REFLECTOR	BAFFLE	METAL RING
	CL :Clear	WH :White	WH :White
	WH :White	BK :Black	BK :Black
	GD :Gold	SN :Satin Nickel	SN :Satin Nickel
	MA :Matte Platinum	AN :Antique Nickel	AN :Antique Nickel
	CP :Champagne	AC :Antique Copper	AC :Antique Copper
	PR :Pewter	MO :Mocha	MO :Mocha
	HC :Haze Clear	CA :Cappuccino	CA :Cappuccino
		CH :Chrome	CH :Chrome
		UN :Natural Steel	UN :Natural Steel
		PB :Polished Brass	PB :Polished Brass

Examples:

TMH-324B-BK-WH = White Metal Trim Ring w/ Black Baffle
 TMH-347B-SN = Adjustable Satin Nickel Wall Wash